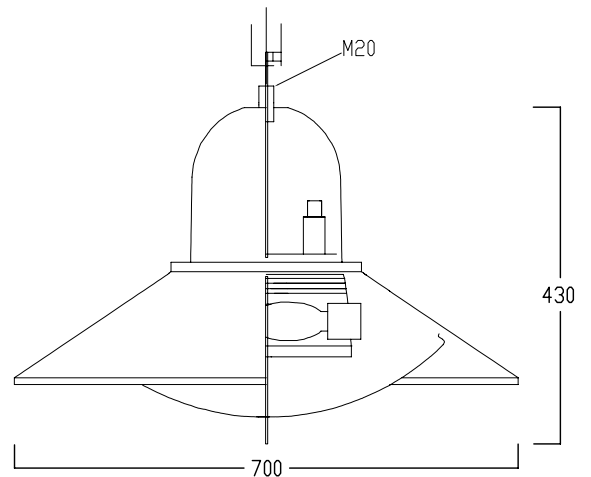
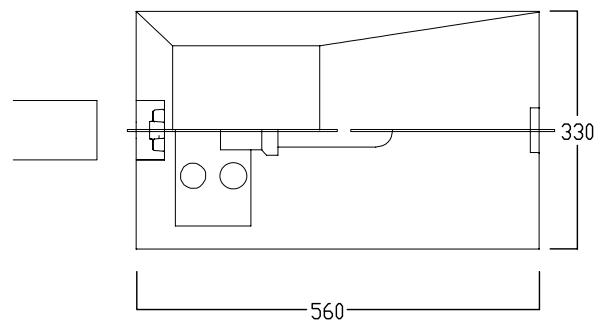
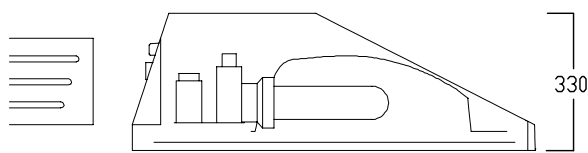


ASP504



ASP704



PFL240

PRODUCT SPECIFICATION

Product Code	127-0262	127-0868	108-0010
Product	ASP504	ASP704	PFL240
Lens	Polycarbonate, UV Stabilised	Polycarbonate, UV Stabilised	6mm toughened float glass
Weight	7.5kg	9.6kg	11.7kg
IP rating	IP55	IP55	IP66
Lamp holder	E27 ceramic	E40 ceramic	E40 ceramic
Lamp	70W CDM ET 3000K L4140	150W M/H CERAMIC E 3000K L4229	150W M/H TT E40 3000K L4240

Notes:

1. Luminaire to be only used with MANARC approved poles or columns
2. Luminaire to comply with the MCC Public Lighting Design Standard.

**MANARC**

MANUKAU CITY APPROVED REQUIREMENT

DETAIL:

ASP704/ASP504/PFL240  
WE-EF STREET LIGHTING

UPDATED:

APR 2005

DETAIL No:

MR-52

**MANUKAU CITY COUNCIL**