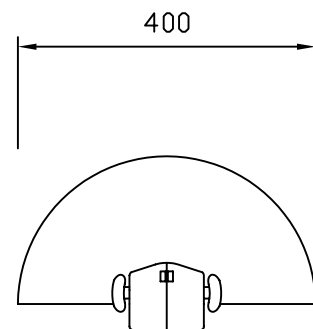


Lamp	Bowl	Dimensions LXWXH (mm)	Packing LXWXH (mm)	Weight (Kg)
SDN-T+150	Deformed Glass	845x400x269	1021x520x395	12.2
SDN-T+250				13
SDN-T+400				15
HPI-T+250				12.2
HPI-T+400				13
SDN-T+150	Flat Glass	845x400x198.5		12.2
SDN-T+250				13
HPI-T+250				12.2



Notes:

1. Luminaire to be only used with Manarc approved poles or columns.
2. Luminaire to comply with MCC Public Lighting Design Standard requirements and
 - (a) Be manufactured in accordance with NZS6705.2.3:1986, IEC598 and ENEC60598
 - (b) Have a heat resistant labeling denoting brand, model, lamp and gear type.

MANARC
 MANUKAU CITY APPROVED
 REQUIREMENT

UPDATED:
 OCT 2004

DETAIL No:
 MR-49

DETAIL:
 PHILIPS BROADWAY
 STREET LIGHTING
 S/MGP 268

MANUKAU CITY COUNCIL