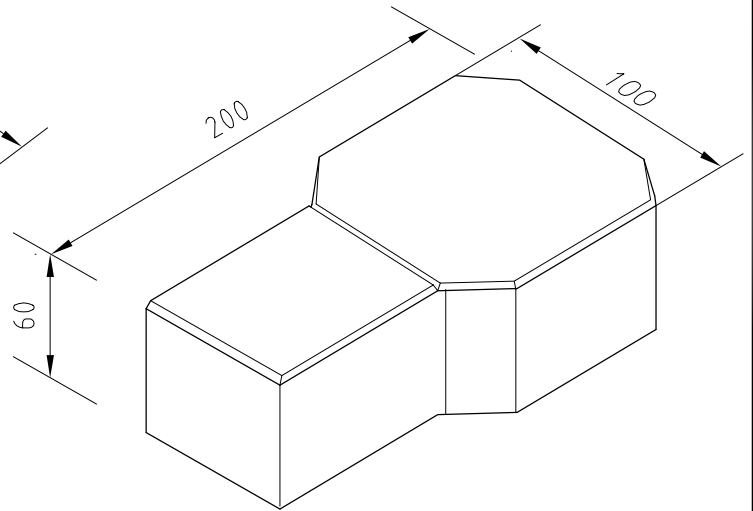
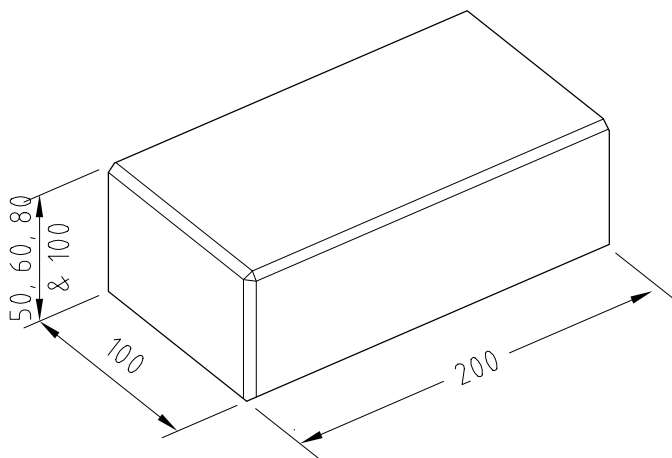


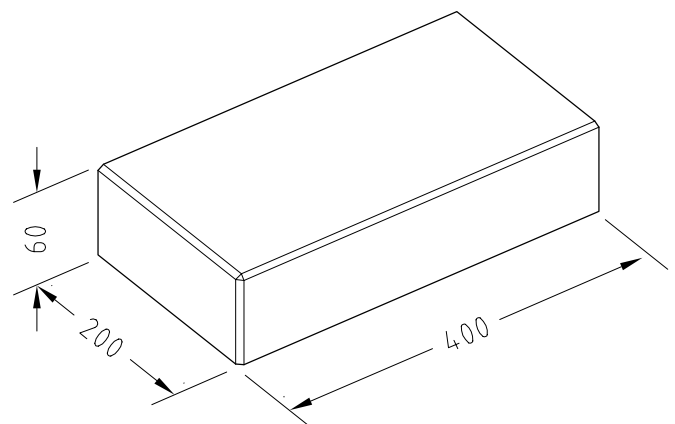
UNILOK



METRO



LONDON PAVER



HIGHBROOK PAVER

(Honed or Normal)

APPLICATION:

BLOCK THICKNESS	APPROVED APPLICATION
80mm	For use as road pavement surfacing on carriageways and right of ways complying with drawing R13.
60mm	For use as footpaths and crossings (on special approval basis with regards to performance).
50mm	For use in private applications and high density pedestrian only areas, not to be used within legal road boundaries and private ways.

Notes:

1. Breaking load and abrasion resistance to comply with AS/NZS 4456.
2. Slip resistance to comply with AS/NZS 3661.1.
3. Installation to meet NZS 3116:2002 with regard to manufacture.

MANARC

MANUKAU CITY APPROVED
REQUIREMENT

DETAIL:

STEVENSONS PAVERS

UPDATED:

AUG 2006

DETAIL No:

MR-26

MANUKAU CITY COUNCIL