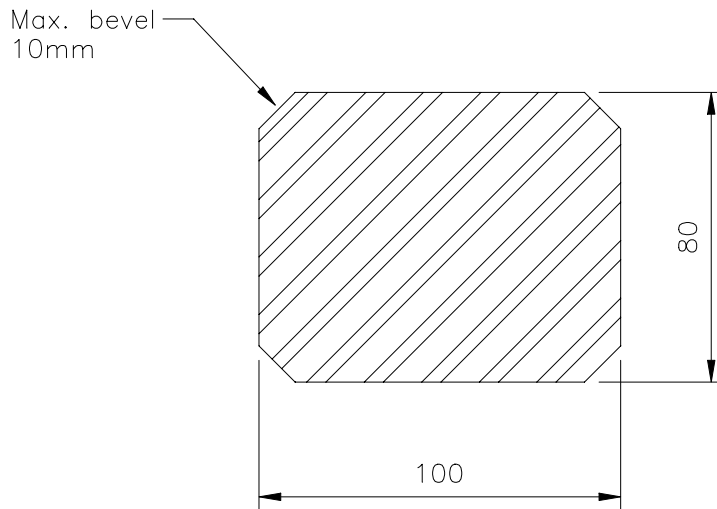


BLOCK DIMENSIONS



END ELEVATION

SPECIFICATION:

- Minimum compressive strength 40MPa
- Top surface of block to have a uniform coarse texture and shall be free from laitance
- Pavers to comply with NZS 3116:1991

APPLICATION:

- For use as road pavement surfacing for streets in compliance with drawing R13

MANARC
 MANUKAU CITY APPROVED
 REQUIREMENT

DETAIL:
HOLLAND BLOCK PAVERS

UPDATED:
SEPT 1998

DETAIL No:
MR-22

MANUKAU CITY COUNCIL