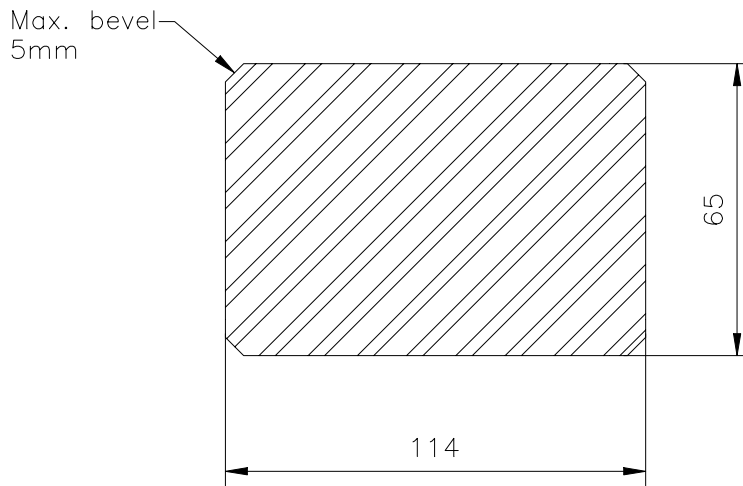


BLOCK DIMENSIONS



END ELEVATION

SPECIFICATION:

1. Minimum compressive strength 40MPa.
2. Minimum transverse breaking load 5KN
3. Slip/Skid resistance 60 (BPN)
4. Maximum Abrasion Loss 5.0 cm<sup>3</sup>

APPLICATION:

For use as pedestrian and road pavement surfacing for streets with carriageway width of 5.4m and less, in accordance with drawing R13.

**MANARC**  
MANUKAU CITY APPROVED  
REQUIREMENT

DETAIL:  
**MONIER CLAY PAVERS**

UPDATED:  
**SEPT 1998**

DETAIL No:  
**MR-21**

**MANUKAU CITY COUNCIL**