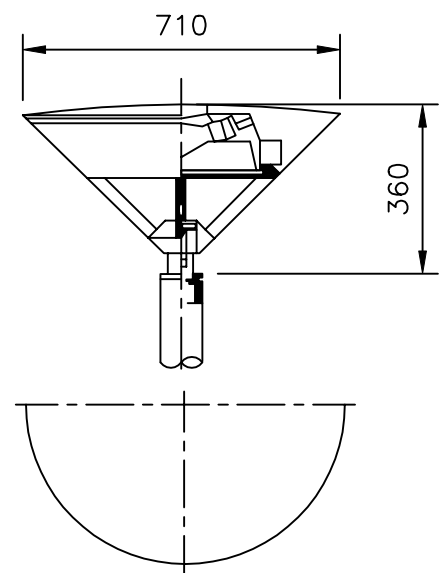
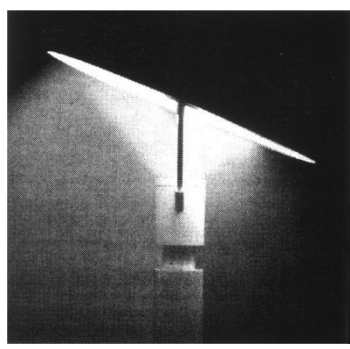


Bega 8082

1. Description: Inverted-cone pole top luminaire with optical system for assymetrical light distribution.
2. Application: Lighting squares, drives, urban/suburban streets, parking areas and pedestrian scale landscape areas.



Bega 8201

1. Description: Pole top luminaire with roational symmetrical light distribution when top reflector is horizontally adjusted and assymetrical when top reflector is swivelled.
2. Application: Lighting squares and pathways.

Notes

1. Luminaires to be mounted on Manarc approved Steelgal Round Tapered Poles.
2. Stainless steel bolts to be connected to stainless steel nuts or helicoil nuts.
3. Luminaires shall use grab screws and helicoil nuts greased at the ZSB factory.
4. Lamps to be high pressure sodium 70W or 150W.

MANARC
MANUKAU CITY APPROVED
REQUIREMENT

UPDATED:
APR 2003

DETAIL No:
MR-20

DETAIL:
BEGA 8082 & 8201 LUMINAIRES

MANUKAU CITY COUNCIL