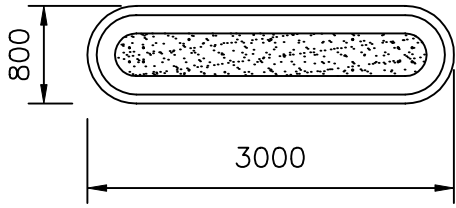
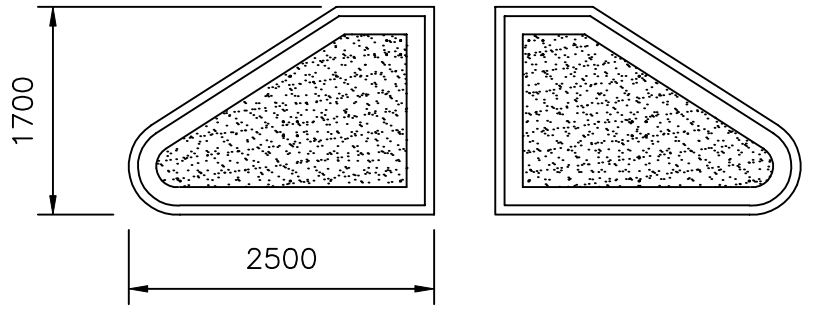


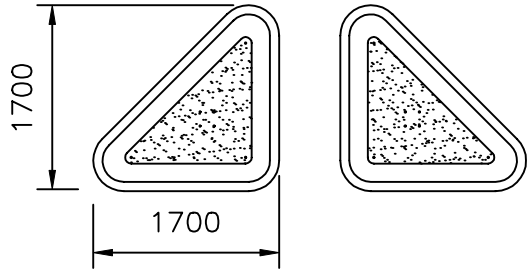
Side Island Standard Profile



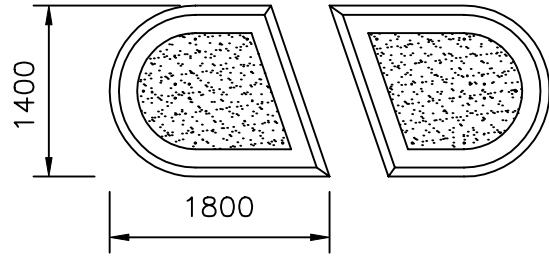
Side Island Standard Profile



Side Island Standard Profile

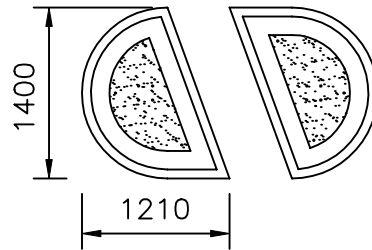
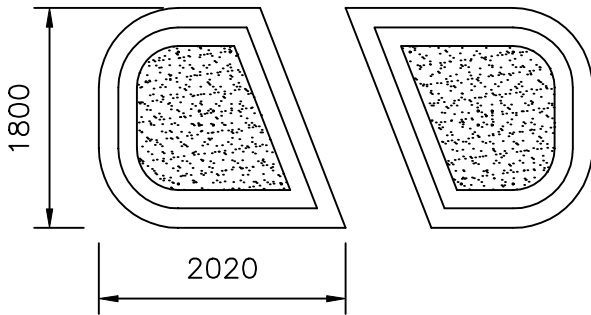


Centre Refuge Standard Profile

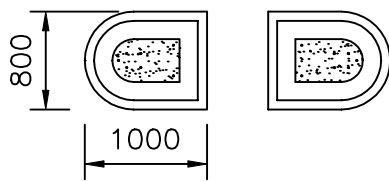


Centre Refuge Low Profile

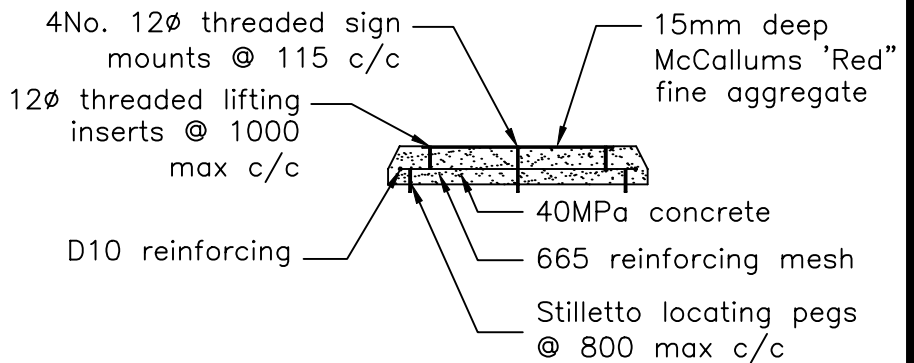
Centre Refuge Standard Profile Short



Barrier Gate Pedestal Standard Profile



Typical Cross Section



Note:

1. Precast traffic islands of other dimensions are available on request.
2. Cement to comply with NZS 3122:1974.
3. Aggregates to comply with NZS 3131, nominal size ≤ 14 mm.
4. Pigments to comply with NZS 3117.
5. Slip resistance to AS/NZS 3611, mean coefficient (wet) > 0.4 and no specimen < 0.35 .

MANARC

MANUKAU CITY APPROVED
REQUIREMENT

DETAIL:

PRECAST TRAFFIC ISLANDS

UPDATED:

JULY 2002

DETAIL No:

MR-18

MANUKAU CITY COUNCIL