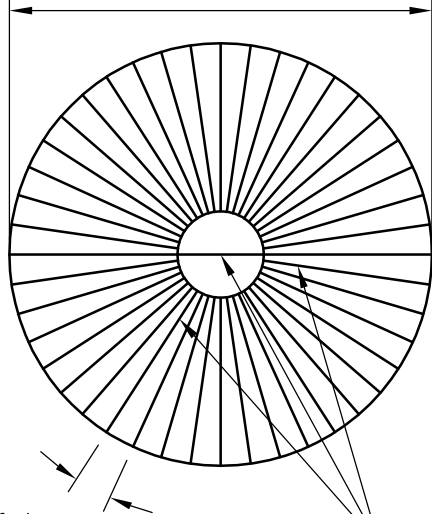
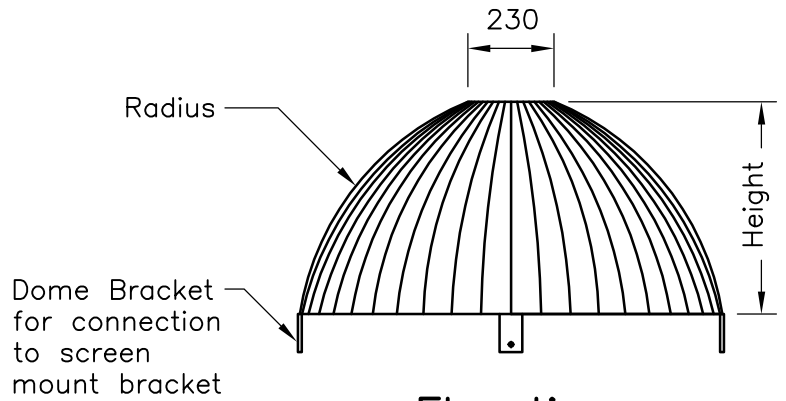


Manhole Riser OD + 62mm



Plan

Spacing of bars at base ring to be equal (min 125, max 150)

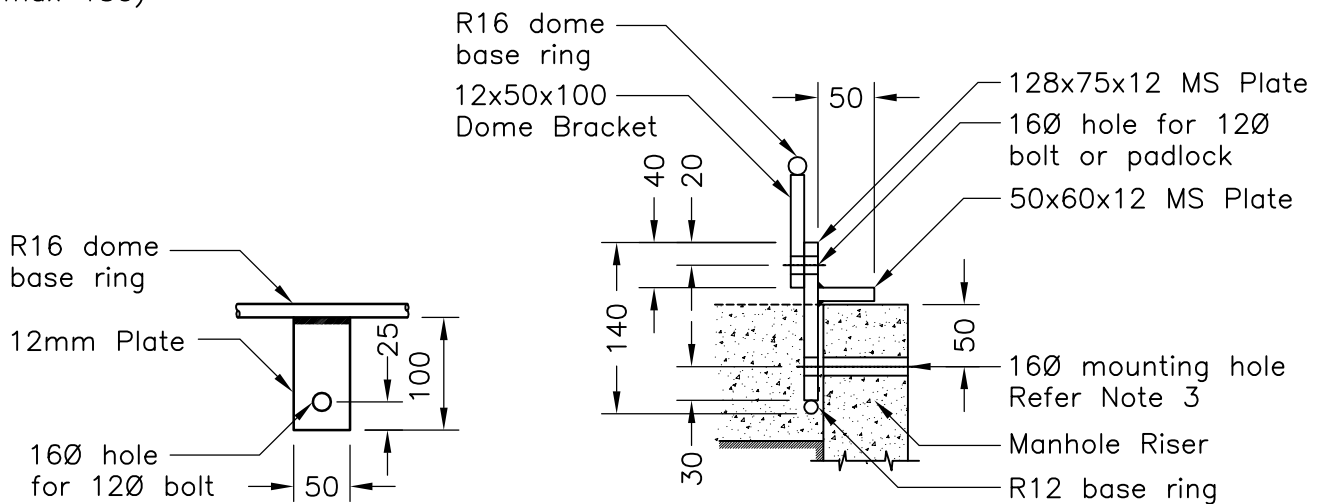


Elevation

Where:

$$\text{Radius} = \frac{\text{Manhole Riser OD} + 100\text{mm}}{2}$$

$$\text{Height} = \frac{\text{Manhole Riser OD}}{2}$$



Bracket Detail

Screen Mount Bracket Detail

Manhole size	No. of equally spaced screen mount brackets
Up to 1050Ø Riser	4
Over 1050Ø Riser	6

Notes

1. Complete prefabricated scruffy dome unit to be hot dipped galvanised and Hawthorn Green Satin finish.
2. All welds to be 3mm min fillet welds all round.
3. Mounting holes in risers only required if riser top is above surrounding ground level.

MANARC

MANUKAU CITY APPROVED REQUIREMENT

DETAIL:

DEBRIS CONTROL SCREEN (SCRUFFY DOME)

UPDATED:

OCT 2008

DETAIL No:

MD-20

MANUKAU CITY COUNCIL