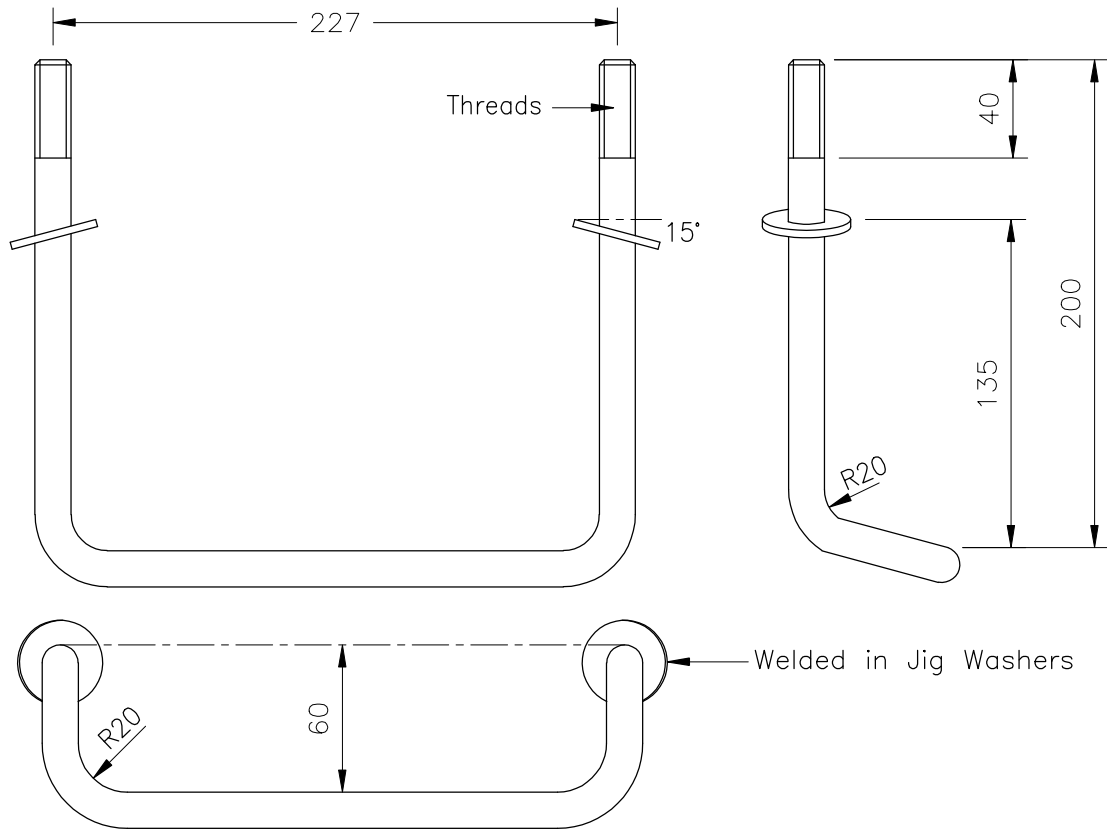
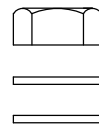
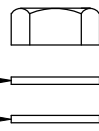


Galvanised/Stainless  
Steel Washer →  
Rubber  
Washer →



Note:

- 1 All steps to be indelibly marked with manufacturer's name or identity and year of manufacture
- 2 15mm nominal diameter step iron to be of 316 grade stainless steel to AS 1449 and AS 1657
- 3 20mm nominal diameter step iron to be Hot Dipped Galvanised to AS/NZS 4680 and AS 1657

**MANARC**

MANUKAU CITY APPROVED  
REQUIREMENT

DETAIL:

**MANHOLE STEP IRONS**

UPDATED:

**SEPT 2000**

DETAIL No:

**MD-11**

**MANUKAU CITY COUNCIL**