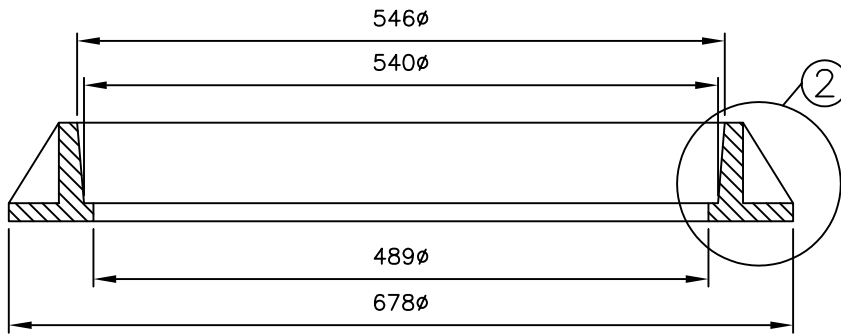
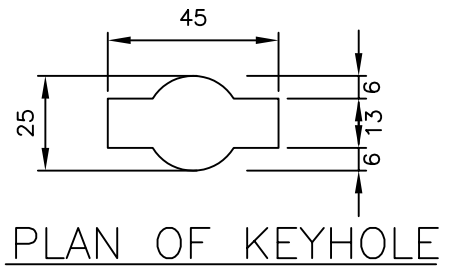


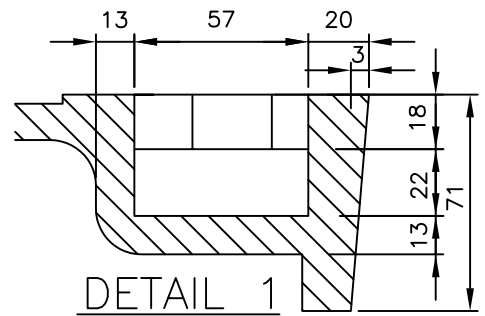
SECTION THROUGH COVER



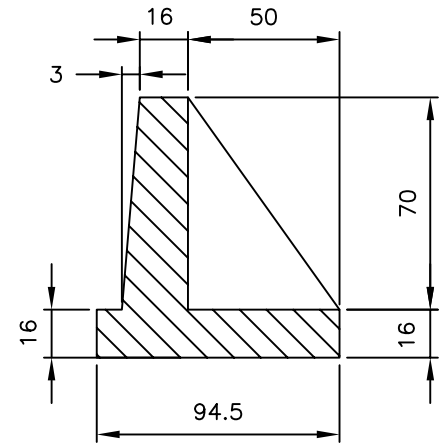
SECTION THROUGH FRAME



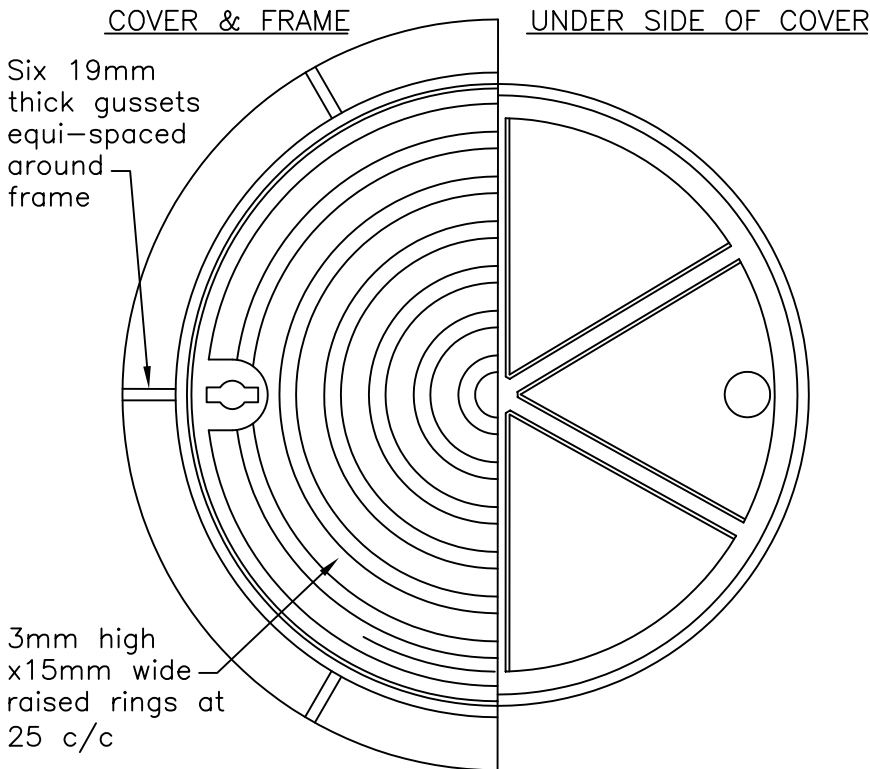
PLAN OF KEYHOLE



DETAIL 1



DETAIL 2



PLAN

Note:

All castings are to be of best quality grey iron hard tough and free from all defects and to be hot dipped in distilled tar.

Approx Weights:
Total: 75Kg.

MANARC

MANUKAU CITY APPROVED
REQUIREMENT

UPDATED:

OCT 2003

DETAIL No:

MD-2

DETAIL:

HEAVY DUTY
MANHOLE COVER & FRAME

MANUKAU CITY COUNCIL