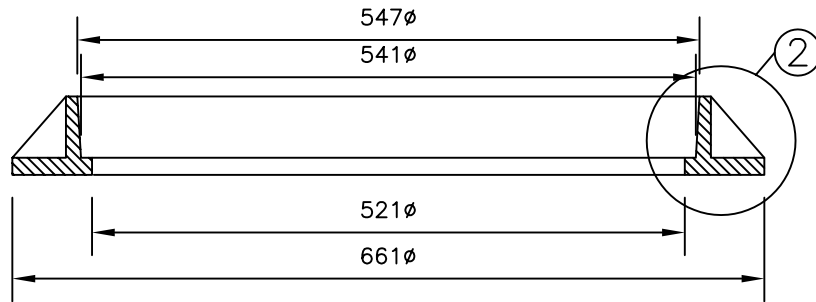
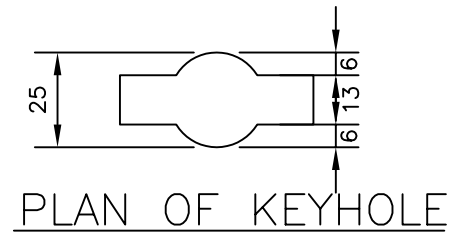


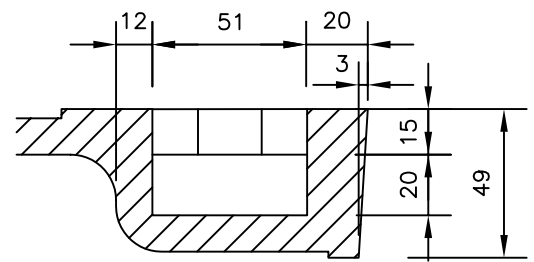
SECTION THROUGH COVER



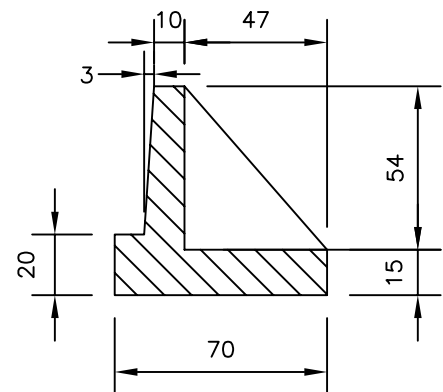
SECTION THROUGH FRAME



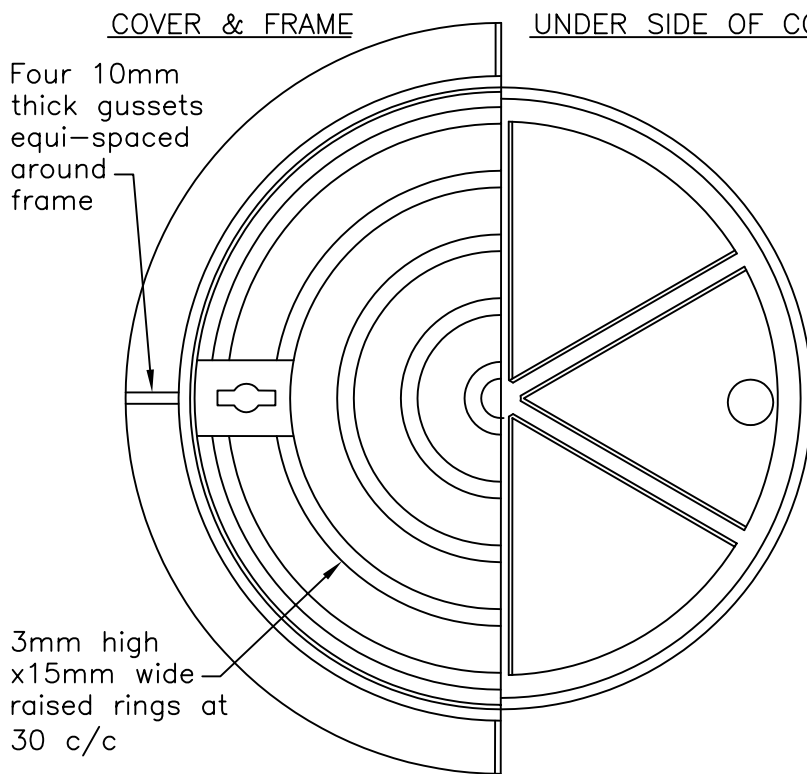
PLAN OF KEYHOLE



DETAIL 1



DETAIL 2



COVER & FRAME

UNDER SIDE OF COVER

Four 10mm thick gussets equi-spaced around frame

3mm high x 15mm wide raised rings at 30 c/c

PLAN

Note:

All castings are to be of best quality grey iron hard tough and free from all defects and to be hot dipped in distilled tar.

Approx Weights:  
Cover: 30Kg.  
Frame: 25Kg.

**MANARC**

MANUKAU CITY APPROVED  
REQUIREMENT

UPDATED:

OCT 2003

DETAIL No:

MD-1

DETAIL:

LIGHT PATTERN MANHOLE  
COVER & FRAME

**MANUKAU CITY COUNCIL**